

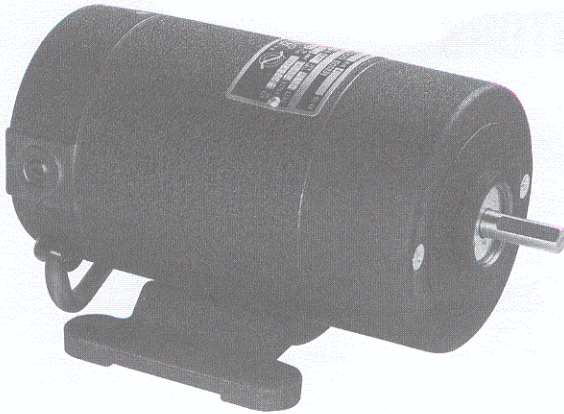


MOTOR SPECIFICATIONS MB-300 PM DC MOTORS

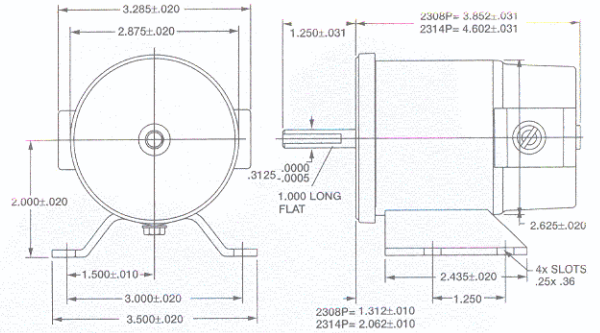
PM DC MOTORS

AVAILABILITY: 1-2 WEEKS

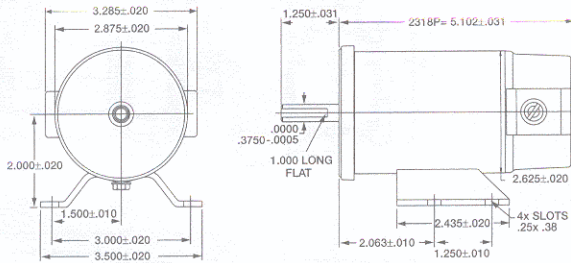
- Ball Bearings
- 3" Grounded Cable
- 90V DC or 180V DC
- Totally Enclosed Non-ventilated
- Bolt on Base



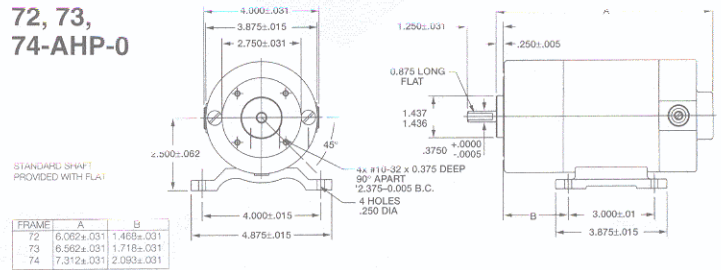
2318-P



**2308-P
2314-P**



**72, 73,
74-AHP-0**



TOTALLY-ENCLOSED NON-VENTILATED RIGID BASE MOUNTED								
PART NO.	INPUT MOTOR H.P.	OUTPUT BASE SPEED	VOLTAGE		FULL LOAD AMPERAGE ARMATURE	MOTOR TYPE & GEAR STYLE	AP'X SHPG. WEIGHT	
			DIRECT CURRENT ARM.	CURRENT FIELD.			LBS.	KG
MB-301R	1/50	1800	90	PM	0.25	2308P	4	1.81
MB-302R	1/25	1725	90	PM	0.48	2314P	5	2.27
MB-303R	1/15	1800	90	PM	0.78	2318P	5	2.27
MB-303AR	1/15	1725	180	PM	0.39	2318P	5	2.27
MB-304R	1/8	1725	90	PM	1.3	74AHPO	10	4.54
MB-304AR	1/8	1725	180	PM	0.6	74AHPO	10	4.54
MB-305R	1/4	3450	90	PM	2.6	74AHPO	10	4.54
MB-305AR	1/4	3450	180	PM	1.3	74AHPO	11	5.5

Supplied with Type SJO, three foot 18/3 AWG, grounded cable.