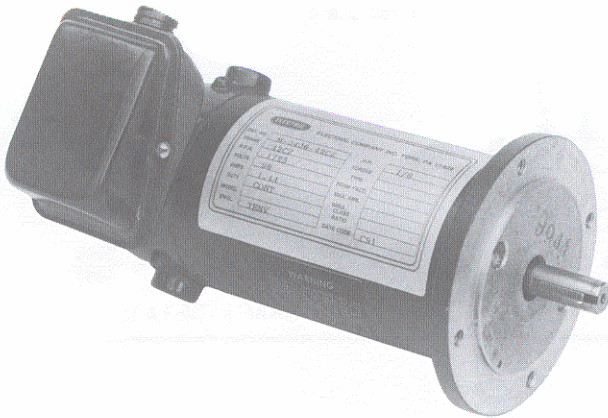




MOTOR SPECIFICATIONS M-34 PM DC MOTORS

AVAILABILITY: STOCK TO 3 WEEKS

PERMANENT MAGNET DC MOTORS 1/32 - 1/4 HP, 1750 RPM, 90V

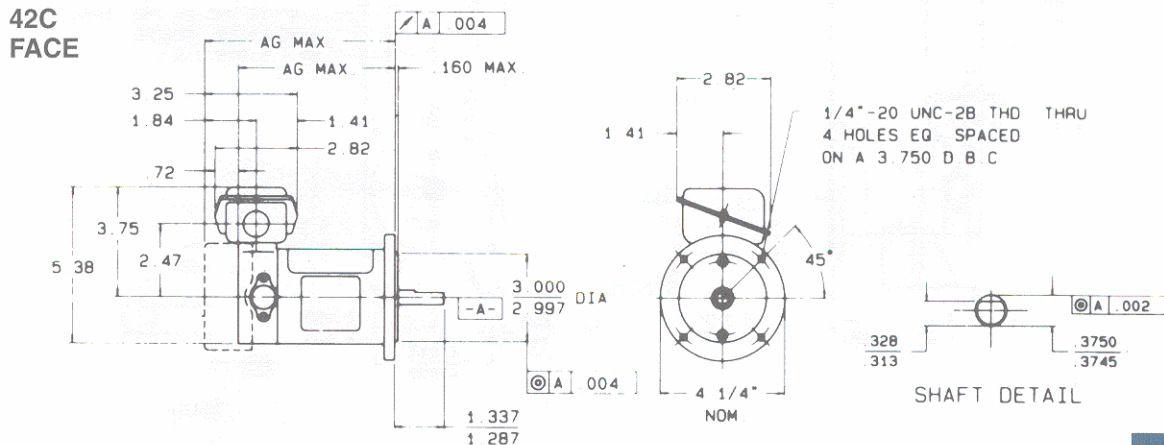


STANDARD FEATURES

- Skewed Armature
- Replaceable Brushes
- UL Recognized Construction
- High Load Capability Ball Bearings

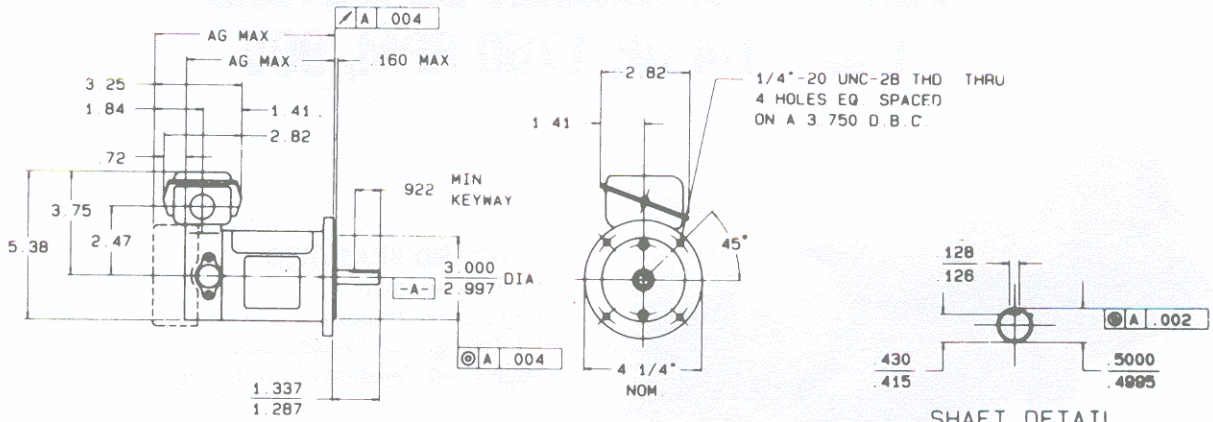
Part No.	HP	Armature Volts	Base RPM	Full Load Amps	Face	Enclosure	Length Ins. AG Max.	Weight	
								Lb.	Kg
M-3410-42C	1/32	90	1725	.47	42C	TENV	5-1/4	5.0	2.27
M-3430-42CZ	1/8	90	1725	1.44	42CZ	TENV	7	7.5	3.17
M-3430-42CB	1/8	90	1725	1.44	42C	TENV	6	6.8	3.08
M-3430-56CB	1/8	90	1725	1.44	56C	TENV	7	8.3	3.76
M-3435-48CB	1/6	90	1725	1.88	48C	TENV	7-1/2	8.6	3.90
M-3435-56CB	1/6	90	1725	1.88	56C	TENV	7-1/2	8.6	4.04
M-3440-42CZ	1/4	90	1725	2.9	42CZ	TEFC	8-3/4	8.4	3.81
M-3440-48CB	1/4	90	1725	2.9	48CZ	TEFC	8-3/4	11.0	5.00
M-3440-56CB	1/4	90	1725	2.9	56C	TEFC	8-3/4	9.1	4.13

Other ratings available with longer lead times and 100 piece minimum.



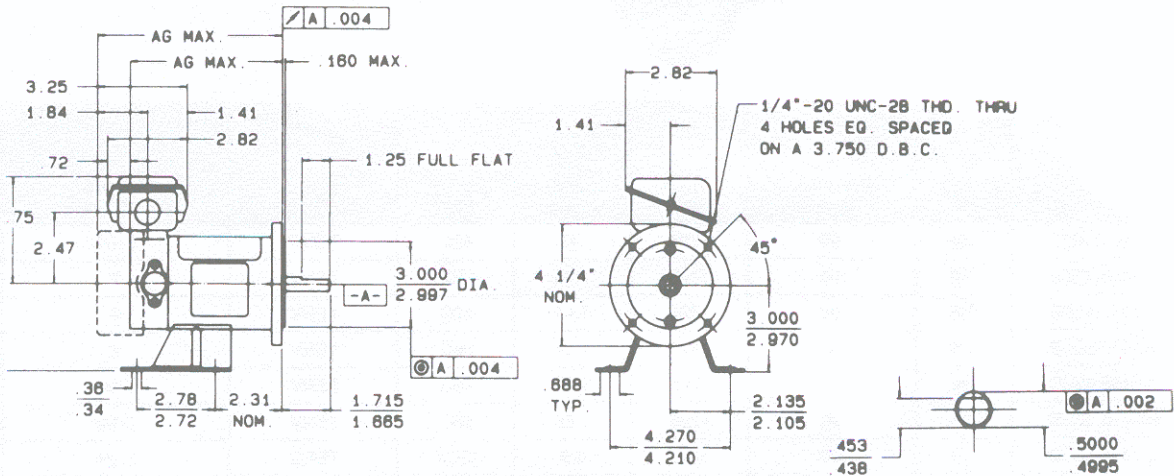
PERMANENT MAGNET DC MOTORS
1/32 - 1/4 HP

42CZ
FACE



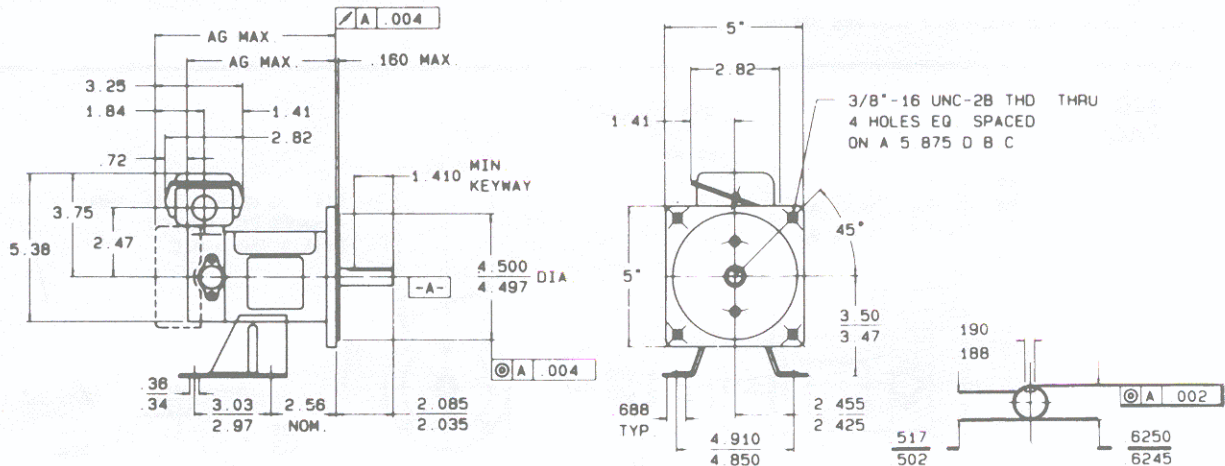
SHAFT DETAIL

48C
FACE



SHAFT DETAIL

56C
FACE



SHAFT DETAIL