

MOTOR SPECIFICATIONS 12/24V DC BATTERY MOTORS



AVAILABILITY: STOCK TO 5 WEEKS

12-24 V, 1800 RPM DC BATTERY MOTORS

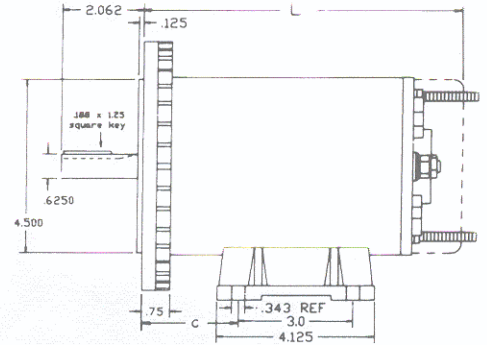
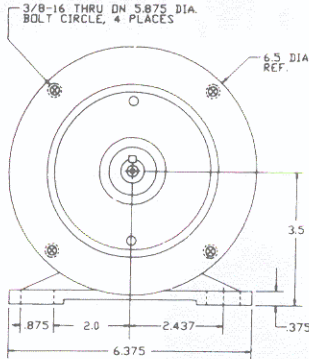
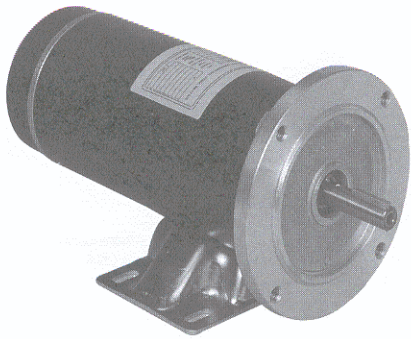
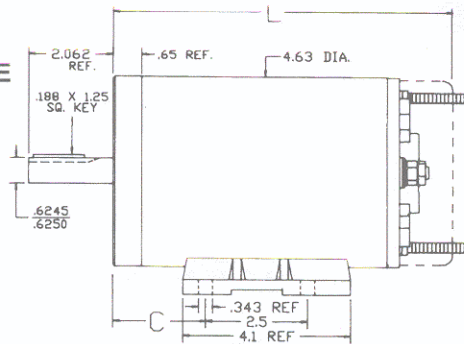
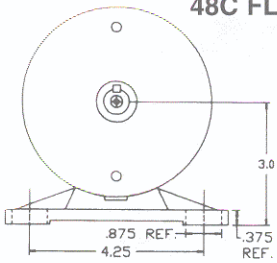


FIG. 2
56C FLANGE

FIG. 1
48C FLANGE



FEATURES

- Permanent Magnet Field
- Ball Bearing Construction
- Class H. Wire in Armature
- Cast Aluminum End Bells and Bases
- NEMA Construction

BENEFITS

- High efficiency vs. wound field motors
- Permanent Lubrication, Long Life
- High Temperature Capability, and Added Life
- Corrosion Resistant, Rugged Construction, Removable Base
- Standard Mountings

Model Number	HP	RATED SPECIFICATIONS				Mtg.	Encl.	Duty	Dir	"L" Inches	"C" Inches	Figure Number	WEIGHT	
		RPM	Volts	Amps	In. Lbs.								Lbs.	Kg.
M4BA-01366	1/4	1800	12V	20	8.25	48C	TENV	Cont	Rev	8.3	2.2	1	13	6.47
M4BB-01367	1/2	1800	12V	40	18.75	48C	TENV	Cont	Rev	10.0	2.2	1	17.3	8.61
M4BC-01368	1	1800	12V	80	35.81	48C	TENV	Cont	Rev	11.7	2.2	1	21.3	10.60
M4BA-01426	1/4	1800	24V	10	8.68	48C	TENV	Cont	Rev	10.0	2.2	1	14.1	6.47
M4BB-01427	1/2	1800	24V	20	18.62	48C	TENV	Cont	Rev	8.3	2.2	1	18.5	8.61
M4BC-01428	1	1800	24V	40	35.75	48C	TENV	Cont	Rev	11.7	2.2	1	22.5	10.61
M4BA-01600	1/4	1800	12V	20	8.25	56C	TENV	Cont	Rev	8.3	2.50	2	14.15	7.02
M4BB-01601	1/2	1800	12V	40	18.75	56C	TENV	Cont	Rev	10.0	2.56	2	18.5	9.20
M4BC-01602	1	1800	12V	80	35.81	56C	TENV	Cont	Rev	11.7	2.56	2	22.5	11.19
M4BA-01603	1/4	1800	24V	10	8.68	56C	TENV	Cont	Rev	8.3	2.2	2	14.5	7.02
M4BB-01604	1/2	1800	24V	20	18.62	56C	TENV	Cont	Rev	10.0	2.2	2	18.5	9.20
M4BC-01605	1	1800	24V	40	35.75	56C	TENV	Cont	Rev	11.7	2.2	2	22.5	11.19