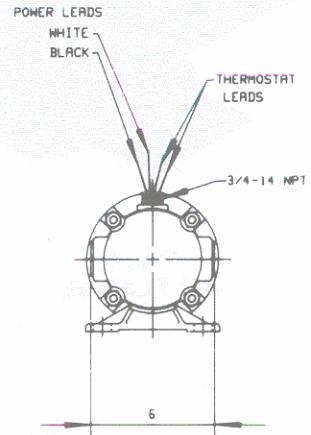
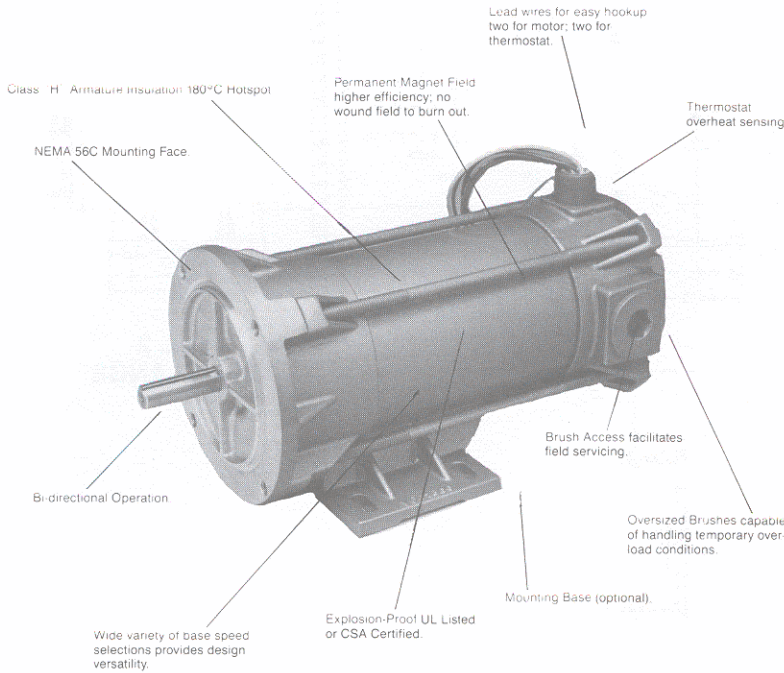




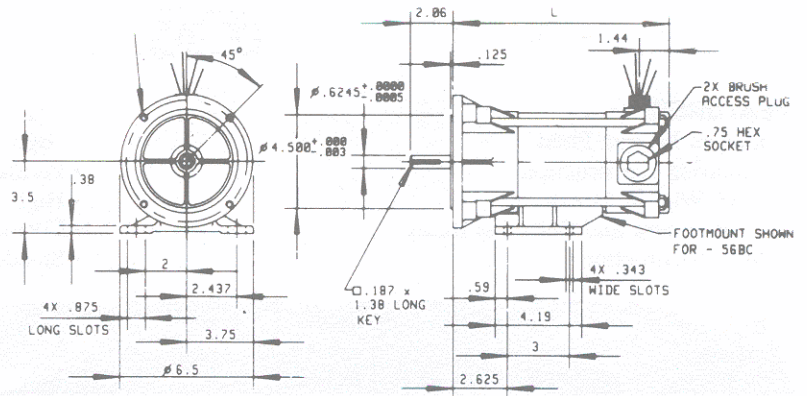
MOTOR SPECIFICATIONS EXPLOSION PROOF PM DC MOTORS

AVAILABILITY: STOCK TO 8 WEEKS

EXPLOSION PROOF PM DC MOTORS 1/4 - 3/4 HP, 1800 RPM, 90 VDC



4x 3/8-16 UNC-2B
T .625 EQUALLY SPACED
ON A Ø5.875 BOLT CIRCLE



Recognized under Component Program of Underwriters Laboratories, Inc.

STANDARD FEATURES

- Class I: (Groups C and D)
- Class II: (Groups F and G)
- Class III:
- Built-In Thermostat
- UL Listing
- Large Standard Bearings
- Large Standard Size Brushes
- Brush Access
- Smooth Operation — Anti-cog magnets

Ratings							Reference Information					
							Parameters			LENGTH	WEIGHT	
Part No.	HP	Voltage	RPM	Current Amps	Torque IN-LB	Duty	R _A Ohms	J LB-IN ₂	L MH	Inches	Lbs.	Kg.
MXP-3624	1/4	90VDC	1800	2.5	9	Cont.	2.4	4.2	18.0	10.38	23	10.43
MXP-3640	1/2	90VDC	1800	4.7	18	Cont.	1.0	6.6	10.0	12.38	30	13.61
MXP-3652	3/4	90VDC	1800	6.8	26.3	Cont.	.75	8.1	3.96	14.00	36	17.91

Contact Factory for Other Ratings

