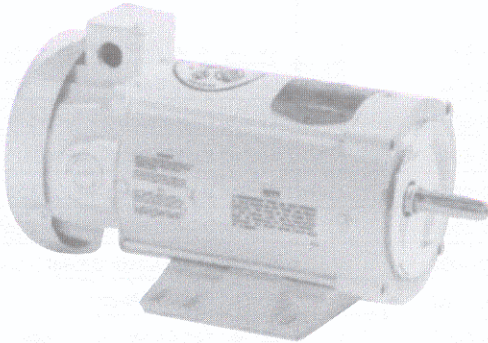


MOTOR SPECIFICATIONS WASHDOWN DUTY PM DC MOTORS

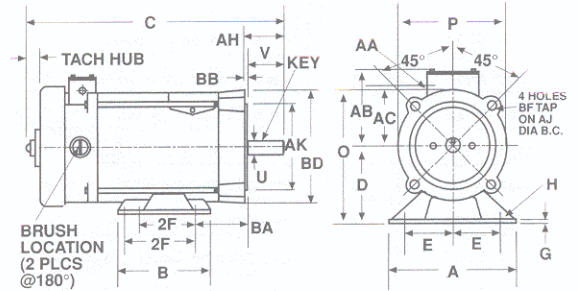


AVAILABILITY: STOCK TO 3 WEEKS

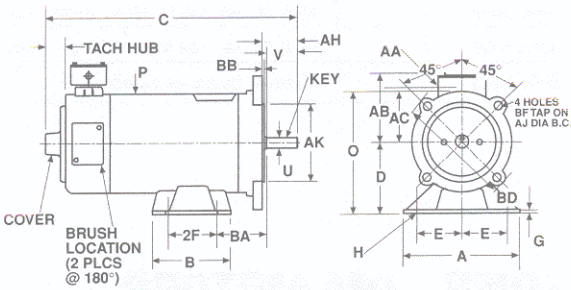
WASHDOWN DUTY PM DC MOTORS 1/2 - 5 HP, 90 and 180 VDC



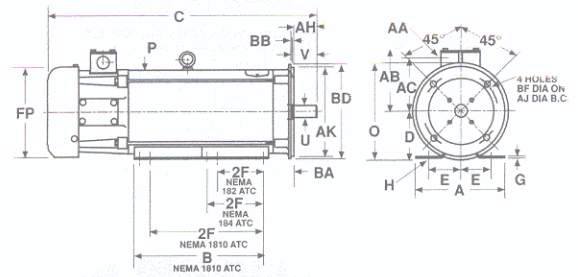
#2



#1



#3



DWG #	TYPE	FOOT MOUNTING							PULLEY SHAFT DIM.				CONDUIT BOX			FRAME									
		TACH HUB	C	BA	E	2F	G	H	U	V	KEY	AH	AA	AB	AC	A	B	D	O	P	AJ	AK	BB	BD	
#1	3320P	1-3/16	12-5/16	2-3/4	2-7/16	3	3/16	1-1/16	5/8	1-7/8	3/16	2-1/16	7/8	4-9/16	3-9/16	6-1/2	4-1/2	3-1/2	6-1/4	4-11/16	5-7/8	4-1/2	1/8	6-1/2	
	3327P	1-3/16	13-1/4	2-3/4	2-7/16	3	3/16	SLOT	5/8	1-7/8	3/16	2-1/16	7/8	4-9/16	3-9/16	6-1/2	4-1/2	3-1/2	6-1/4	4-11/16	5-7/8	4-1/2	1/8	6-1/2	
	3336P	1-3/16	15	2-3/4	2-7/16	3	3/16	(4)	5/8	1-7/8	3/16	2-1/16	7/8	4-9/16	3-9/16	6-1/2	4-1/2	3-1/2	6-1/4	4-11/16	5-7/8	4-1/2	1/8	6-1/2	
#2	3428P	1-3/16	14-9/32	2-3/4	2-7/16	3 OR 4	1/4	1-1/32	5/8	1-7/8	3/16	2-1/16	7/8	4	3	6-3/4	5-1/2	3-1/2	6-3/4	5-11/16	5-7/8	4-1/2	1/8	6-1/2	
	3435P	1-3/16	15-15/32	2-3/4	2-7/16	3 OR 4	1/4	SLOT (6)	5/8	1-7/8	3/16	2-1/16	7/8	4	3	6-3/4	5-1/2	3-1/2	6-3/4	5-11/16	5-7/8	4-1/2	1/8	6-1/2	
	3436P	1-3/16	17-3/16	2-3/4	2-3/4	4 OR 5	1/8	3/8 (6)	3/8	2-1/4	3/16	2-1/8	7/8	4-1/4	3-3/8	6-1/2	5-15/16	3-1/2	6-7/8	6-5/8	5-7/8	4-1/2	1/8	6-1/2	
#3	3548P	1-3/16	18-3/16	2-3/4	2-3/4	4 OR 5	1/8	3/8 (6)	3/8	2-1/4	3/16	2-1/8	7/8	4-1/4	3-3/8	6-1/2	5-15/16	3-1/2	6-7/8	6-5/8	5-7/8	4-1/2	1/8	6-1/2	
	3649P	-	24-3/32	2-3/4	3-3/4	4.5 OR 5.5	5/32	5/32	1-1/8	2-3/8	1/4	2-1/8	1	6-1/16	4-15/16	8-5/8	6-1/2	4-1/2	10-9/16	7-7/8	7-1/4	8-1/2	1/4	9	
	3681P	-	27-19/32	2-3/4	3-3/4	4.5 OR 5.5	5/32	5/32	1-1/8	2-3/8	1/4	2-1/8	1	6-1/16	4-15/16	8-5/8	13	10-9/16	7-7/8	7-1/4	8-1/2	1/4	9		

STANDARD FEATURES

- Stainless Steel Shaft
- FDA Approved Epoxy Paint
- Extra Drain Holes
- Permanent Magnet Motor

APPLICATIONS

- Bakery Machinery
- Laboratory Equipment
- Filling Machinery
- Food Processing
- Pumps
- Process Controls
- Canning Machines

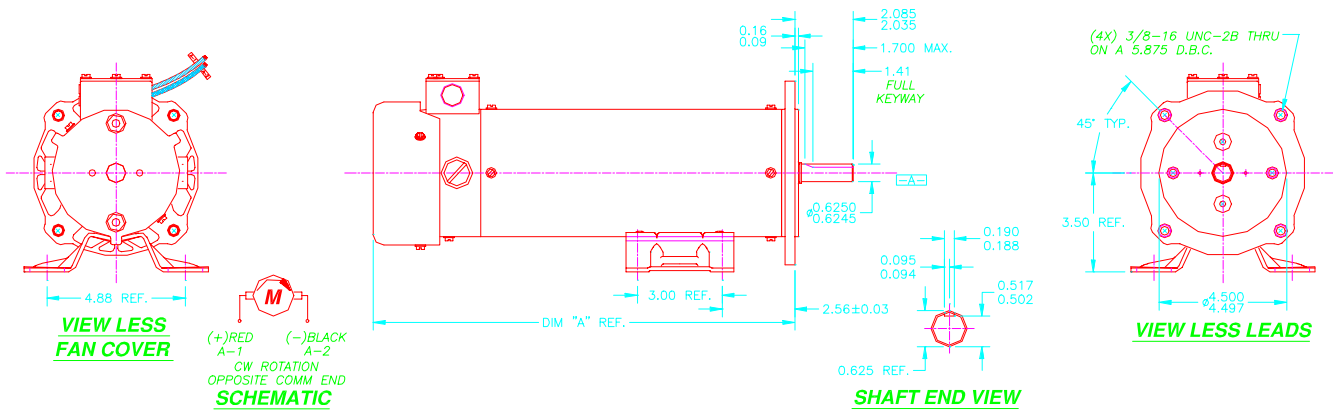
PART NO.	HP	BASE SPEED	NEMA FRAME	ARM VOLTAGE	FULL LOAD AMPS	TYPE	WEIGHT	
							LBS.	KG.
MDPWD-3310	1/4	1750	56C	90	2.5	3320P	26	12.94
MDPWD-3320	1/3	1750	56C	90	3.2	3327P	26	12.94
MDPWD-3330	1/2	1750	56C	90	4.8	3336P	32	15.92
MDPWD-3440	3/4	1750	56C	90	7.9	3428P	39	19.40
MDPWD-3445	1	1750	56C	90	10.0	3435P	44	21.89
MDPWD-3306	1/4	1750	56C	180	1.25	3320P	24	11.94
MDPWD-3316	1/3	1750	56C	180	1.6	3327P	26	12.94
MDPWD-3326	1/2	1750	56C	180	2.5	3336P	32	15.92
MDPWD-3436	3/4	1750	56C	180	3.7	3428P	39	19.40
MDPWD-3455	1	1750	56C	180	5.0	3435P	44	21.89
MDPWD-3575	1 1/2	1750	145TC	180	7.7	3436P	73	36.32
MDPWD-3585	2	1750	145TC	180	9.6	3548P	75	37.31
MDPWD-3603	3	1750	184TC	180	14.0	3649P	116	57.71
MDPWD-3605	5	1750	1810ATC	180	24.5	3681P	157	78.11



MOTOR SPECIFICATIONS WASHDOWN PM DC MOTORS



PM DC Washdown Motor
90 and 180 Volts
¼ thru 1 HP
1725 RPM
TEFC
Removable Rigid Base



Features: Double sealed ball bearings – Class F insulation – USDA approved epoxy primer and paint – Shaft seals – Stainless steel shaft and drain plugs – Gasketed construction – Treated interior surfaces.

Applications: Designed for washdown applications in agriculture, marine, transportation and processing industries.

Part Number	Arm Amp	HP	RPM	Voltage	Frame	Enclosure	Base	"A" Dim.
MD203	3.0	1/4	1725	90	56C	TEFC	Rigid	8.62
MD204	3.5	1/3	1725	90	56C	TEFC	Rigid	9.06
MD205	5.4	1/2	1725	90	56C	TEFC	Rigid	10.87
MD206	2.7	1/2	1725	180	56C	TEFC	Rigid	10.87
MD207	8.0	3/4	1725	90	56C	TEFC	Rigid	12.87
MD208	3.5	3/4	1725	180	56C	TEFC	Rigid	12.87
MD209	10.0	1	1725	90	56C	TEFC	Rigid	14.87
MD210	5.0	1	1725	180	56C	TEFC	Rigid	14.87