

# MOTOR SPECIFICATIONS M-46 & M-66 2500 RPM MOTORS

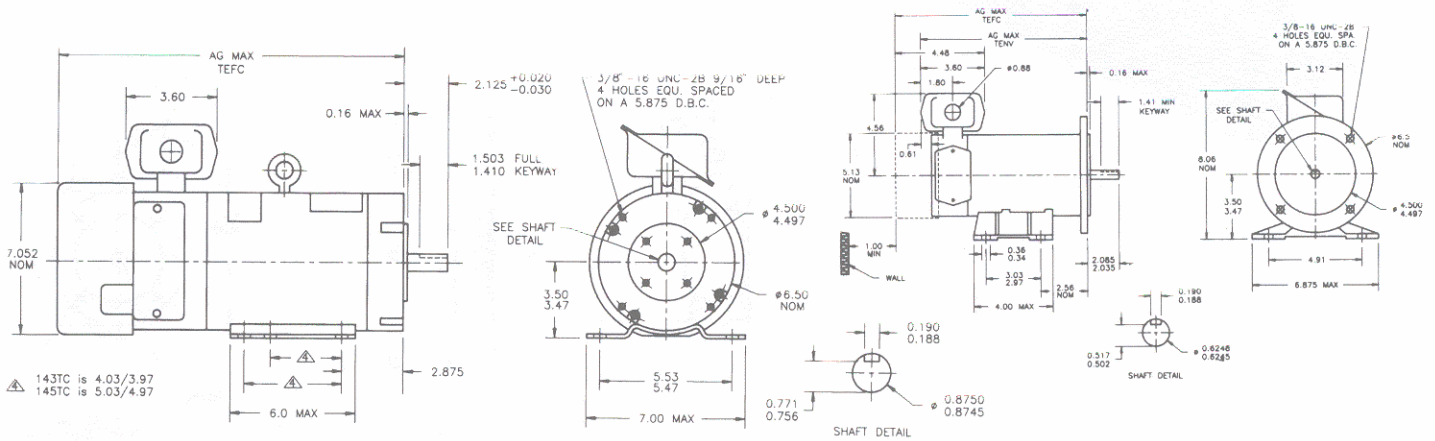
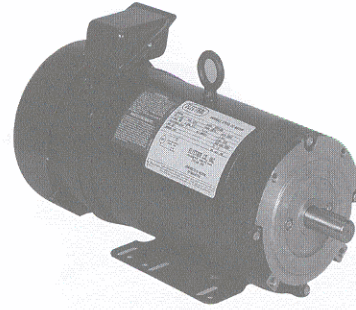
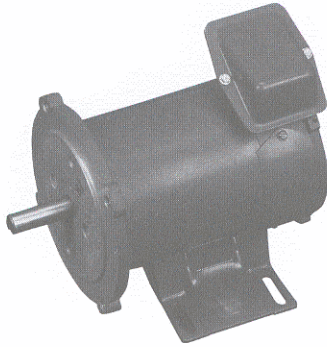


**AVAILABILITY: FACTORY AND DISTRIBUTOR STOCKS**

Performance matched with  
**ELECTROL Controls**

## PERMANENT MAGNET DC MOTORS 1/8 - 3 HP, 2500 RPM

 Recognized under Component Program  
of Underwriters Laboratories, Inc.



### SERIES M46 – 1/8 TO 1 HP – 90 AND 180 V. ARM. – 56C FLANGE WITH REMOVABLE BASE

Part No.	HP	KW	Armature Volts	Base RPM	Full Load Amps	Duty	Enclosure	Length Ins. AG Max	WEIGHT	
									Lbs.	Kg.
M-4616C	1/2	.37	90	2500	5.70	CONT	TENV	11.69	25	11.34
M-4616AC	1/2	.37	180	2500	2.85	CONT	TENV	10.56	25	11.34
M-4619C	3/4	.55	90	2500	8.1	CONT	TEFC	12.56	32	14.51
M-4621C	1	.75	90	2500	10.6	CONT	TEFC	14.56	39	17.69
M-4621AC	1	.75	180	2500	5.35	CONT	TEFC	14.56	39	17.69

### SERIES M66 – 1 1/2 TO 3 HP – 180 V. ARM. – 143/145T FLANGE – REMOVABLE BASE

Part No.	HP	Armature Volts	Base RPM	Full Load Amps	Duty	Enclosure	AG MAX Length In.	See Dim.	WEIGHT	
									Lbs.	Kg.
* M-6659C	1-1/2	180	2500	7.8	CONT	TEFC	16-1/8	B	70	34.81
* M-6667C	2	180	2500	11.2	CONT	TEFC	17-5/8	B	73	36.30
* M-6690C	3	180	2500	15.8	CONT	TEFC	20-3/4	B	102	50.72

\* 25 piece minimum order.