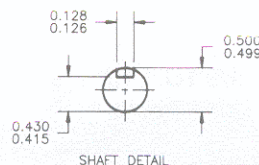
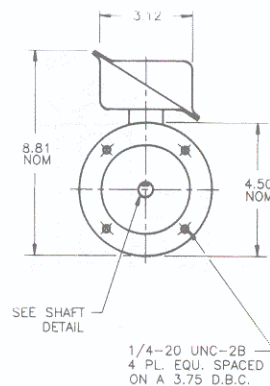
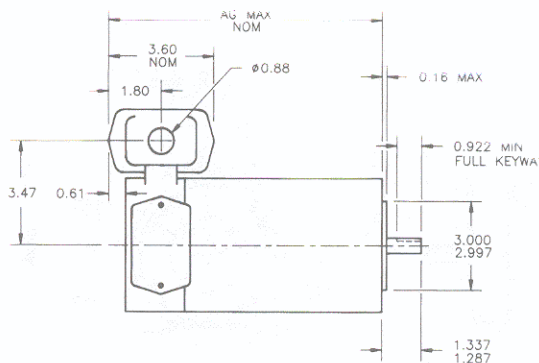
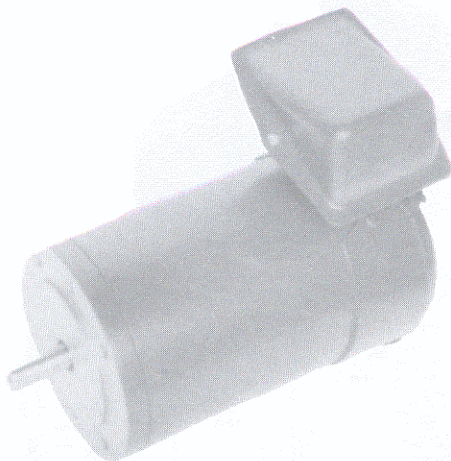




**MOTOR SPECIFICATIONS
M-46 CZ PM DC MOTORS**

AVAILABILITY: STOCK TO 8 WEEKS

**PERMANENT MAGNET DC MOTORS
1/8 - 1/3 HP, 1725 RPM, 90VDC**



1/4-20 UNC-2B
4 PL. EQU. SPACED
ON A 3.75 D.B.C.

SERIES M46 – 1/8 TO 1/3 HP – 90 V. ARM. – 42CZ FLANGE

Part No.	HP	HP	Armature Volts	Base RPM	Full Load Amps	Duty	Enclosure	Length Ins. AG Max	WEIGHT	
									Lbs.	Kg.
M-4610CZ	1/8	.09	90	1725	1.45	CONT	TENV	7.19	14	6.96
M-4611CZ	1/6	.12	90	1725	1.71	CONT	TENV	7.19	14	6.96
M-4612CZ	1/4	.18	90	1725	2.85	CONT	TENV	8.81	17	7.71
*M-4613CZ	1/3	.25	90	1725	3.5	CONT	TENV	8.69	25	11.34

*MINIMUM QUANTITY 25 PIECES