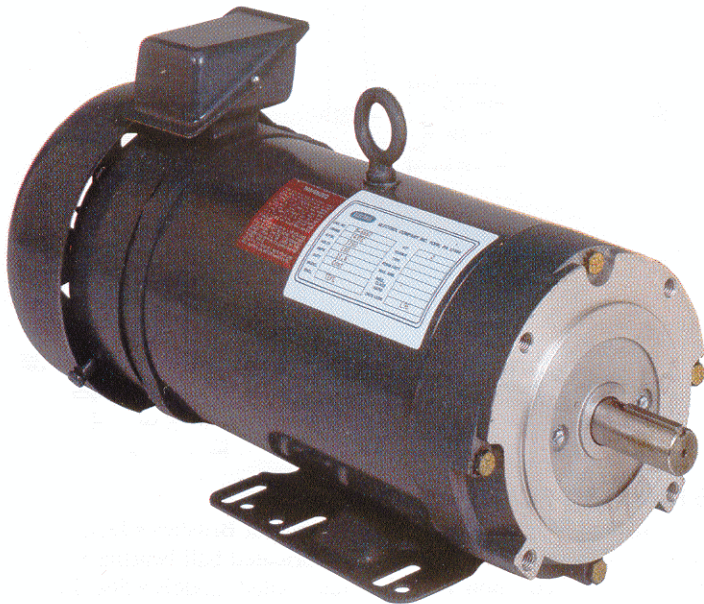
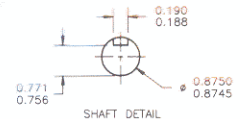
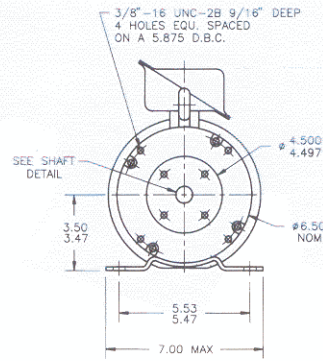
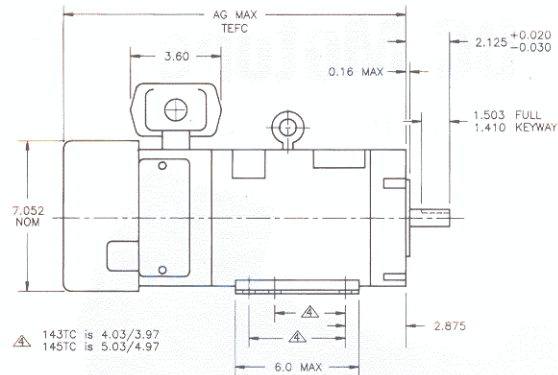


AVAILABILITY: FACTORY AND DISTRIBUTOR STOCKS

Permanent Magnet
DC Motors
1-1/2-3 HP 1750 RPM



Performance matched with
ELECTROL Motor Controls



STANDARD FEATURES

- Permanent Magnet Design
- Replaceable Brushes
- Dynamic Braking Advantage
- Permanently lubricated ball bearing for high load capacity
- Totally Enclosed Fan Cooled Design
- 143/145 Flange-Removable Base
- Rugged Construction for long life

Recognized under Component Program of Underwriters Laboratories, Inc.

For 1-1/2--3 HP, 2500 RPM models see page F-2

SERIES M66 – 1 1/2 TO 3 HP – 180V. ARM. – 143/145T FLANGE – REMOVABLE BASE

| Part No. | HP | Armature Volts | Base RPM | Full Load Amps | Duty | Enclosure | AG MAX. Length In. | See Dim. | WEIGHT | |
|----------|-------|----------------|----------|----------------|------|-----------|--------------------|----------|--------|-------|
| | | | | | | | | | Lbs. | Kg. |
| M-6659 | 1-1/2 | 180 | 1750 | 8.2 | CONT | TEFC | 16-1/8 | B | 70 | 34.81 |
| M-6667 | 2 | 180 | 1750 | 11.6 | CONT | TEFC | 17-1/8 | B | 73 | 36.30 |
| M-6690 | 3 | 180 | 1750 | 15.5 | CONT | TEFC | 20-1/8 | B | 102 | 50.72 |