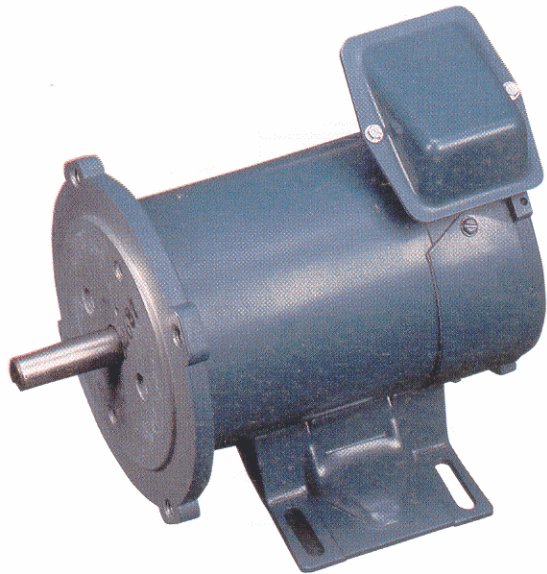




M-46 SERIES PM DC MOTORS

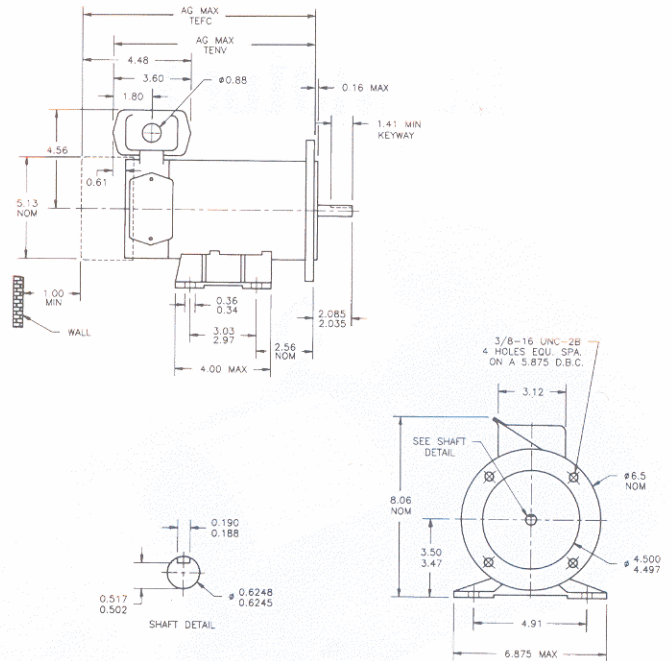
AVAILABILITY: FACTORY AND DISTRIBUTOR STOCKS

Permanent Magnet DC Motors 1/8-1 HP 1725 RPM



 Recognized under Component Program of Underwriters Laboratories, Inc.

Performance matched with
ELECTROL Controls



STANDARD FEATURES

- Permanent Magnet Design • Replacement Brushes • Dynamic Braking Advantage • Permanently lubricated ball bearing • Totally Enclosed - non vented or fan cooled models • 56C Flange - Removable Base • Rugged Construction

For 1/2-1 HP, 2500 RPM models see page F-2

SERIES M46 – 1/8 TO 1 HP – 90 AND 180V. ARM. – 56C FLANGE – REMOVABLE BASE

Part No.	HP	KW	Armature Volts	Base RPM	Full Load Amps	Duty	Enclosure	Length Ins. AG Max	WEIGHT	
									Lbs.	Kg.
*M-4610NV	1/8	.09	90	1725	1.45	CONT	TENV	7.19	15	6.80
M-4612B	1/4	.18	90	1725	2.85	CONT	TEFC	8.81	18	8.95
M-4612BNV	1/4	.18	90	1725	2.85	CONT	TENV	7.88	18	8.95
M-4612ABNV	1/4	.18	180	1725	1.41	CONT	TENV	7.88	18	8.95
M-4613B	1/3	.25	90	1725	3.5	CONT	TEFC	10.56	25	11.34
M-4613BNV	1/3	.25	90	1725	3.5	CONT	TENV	8.69	21	10.44
M-4613AB	1/3	.25	180	1725	1.71	CONT	TEFC	10.56	25	11.34
M-4613ABNV	1/3	.25	180	1725	1.71	CONT	TENV	8.69	21	10.44
M-4616B	1/2	.37	90	1725	5.35	CONT	TEFC	10.56	25	11.34
M-4616BNV	1/2	.37	90	1725	5.35	CONT	TENV	11.69	25	11.34
M-4616AB	1/2	.37	180	1725	2.85	CONT	TEFC	10.56	25	11.34
M-4619B	3/4	.55	90	1725	8.1	CONT	TEFC	12.56	32	14.51
M-4619AB	3/4	.55	180	1725	3.5	CONT	TEFC	12.56	32	14.51
M-4621B	1	.75	90	1725	10.6	CONT	TEFC	14.56	39	17.69
M-4621AB	1	.75	180	1725	5.35	CONT	TEFC	14.56	39	17.69

* Not supplied with base. Base can be purchased separately.